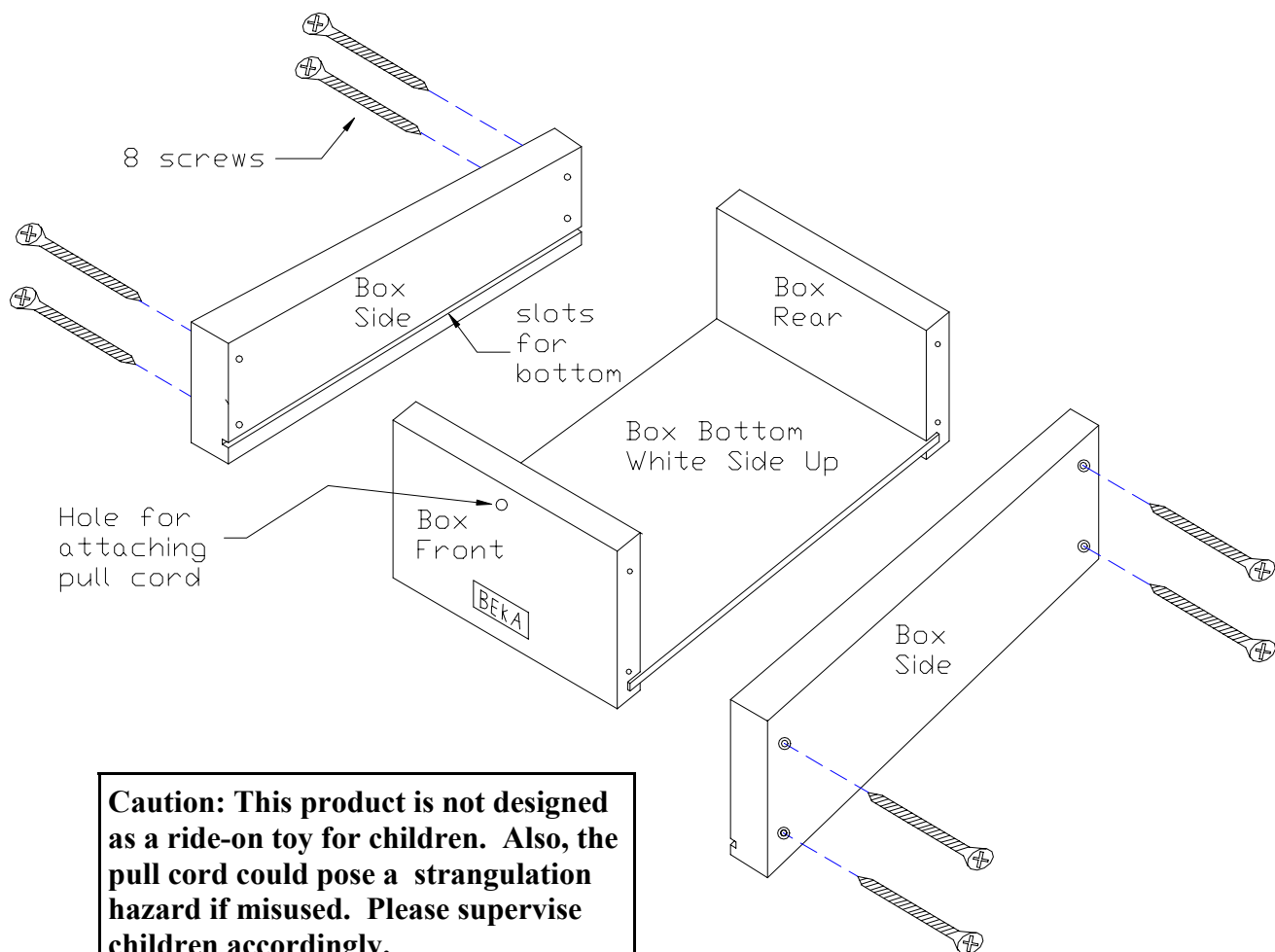


**WARNING: Adult Assembly Required**  
Hardware may pose a small parts (choking) hazard to children. Dispose of plastic bags and unused hard-

# Toy Storage Cart Assembly Instructions

## **Tools needed; a phillips screwdriver**

- 1) Place components on a level surface, such as a table top (taking care to protect a surface you do not want to scratch).
- 2) Position the parts as shown in the sketch below, with the slots for the bottom facing in, and the white side up on the bottom board.
- 3) Insert the screws, as shown in pairs, capturing the bottom in the slots. Turn the screws into place, but leave them slightly loose.
- 4) Once all screws are positioned, check that the box is flat and level, then tighten the screws snugly. Do not over-tighten.
- 5) Turn the assembled box upside down and firmly press the 4 swivel casters into place in the 4 holes provided in the edges of the box sides. Turn the assembled cart right side up.
- 6) Tie a knot in one end of the pull cord, and thread the cord from the inside through the hole in the cart front. The knot should rest in the recess provided on the inside of the cart front. Thread the cord through the handle, and tie another knot at the end of the cord. Pull both knots tight so a child cannot untie them.



**Caution: This product is not designed as a ride-on toy for children. Also, the pull cord could pose a strangulation hazard if misused. Please supervise children accordingly. Thank you.**